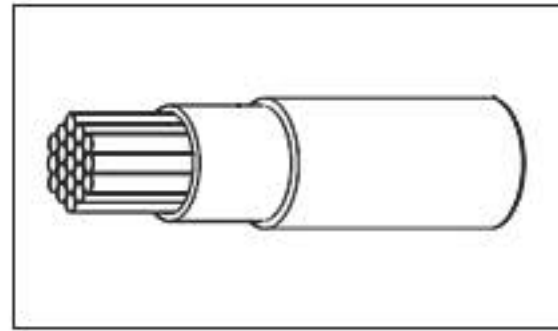




FLDWC0311-18-4 Product Details

[Share](#) [Print](#) [Email](#)


FLDWC0311-18-4

TE Internal Number: 406459-000

 [Active](#)

Commercial Wire

 [Always EU RoHS/ELV Compliant \(Statement of Compliance\)](#)

Product Highlights:

- Cable Type = FlexLite DW
- Conductor Type = Tin-Plated Copper
- Conductor (Wire) Size = 18 AWG
- Temperature Range = -45 - 125 °C
- Color = Yellow

[View all Features](#)

Quick Links

- ▶ [Check Pricing & Availability](#)
- ▶ [Search for Tooling](#)
- ▶ [Product Feature Selector](#)
- ▶ [Contact Us About This Product](#)

[Add to My Part List](#) [Request Sample](#) [Find Similar Products](#) [Buy Product](#)

Documentation & Additional Information

Product Drawings:

- [DUAL WALL HOOKUP WIRE, RADIATION-CROSSLINKED, POLYAL...](#) (PDF, English)

Catalog Pages/Data Sheets:

- None Available

Product Specifications:

- None Available

Application Specifications:

- None Available

Instruction Sheets:

- None Available

CAD Files:

- None Available

Related Products:

- [Tooling](#)

[List all Documents](#)

Product Features (Please use the Product Drawing for all design activity)

Product Type Features:

- [Cable Type](#) = FlexLite DW
- Color = Yellow
- Cable Style = Primary
- Number of Conductors = 1

Electrical Characteristics:

- Number of Strands x AWG = 19 Strands x 30 AWG
- Voltage (VAC) = 600
- Resistance, Maximum (Ω /1000 ft@68°F) = 20.4

Body Features:

- Conductor Type = Tin-Plated Copper
- Wire Type = Stranded
- Cable Diameter Range (mm [in]) = 1.78 - 1.93 [0.070 - 0.076]
- Nominal Weight (kg/km) = 11.46

Configuration Features:

- Conductor (Wire) Size = 18 AWG
- Conductor Diameter (mm [in]) = 1.18 [0.047]

Industry Standards:

- [RoHS/ELV Compliance](#) = RoHS compliant, ELV compliant
- [Lead Free Solder Processes](#) = Not relevant for lead free process
- RoHS/ELV Compliance History = Always was RoHS compliant

Conditions for Usage:

- Temperature Range (°C) = -45 - +125

Product Availability:

- Region = Americas, Asia/Pacific

Other:

- Brand = Raychem

Corporate Information

[Who We Are](#)
[Investors](#)
[News Room](#)
[Supplier Portal](#)
[Careers](#)

Quick Links

[Check Distributor Inventory](#)
[Cross Reference](#)
[Find Documents & Drawings](#)
[Product Compliance Support Center](#)
[Site Map](#)

Customer Support

[Email or Chat With Us](#)
[Find a Phone Number](#)
[Search Knowledge Base](#)
[Manage your Account](#)

Keep Me Informed

Receive TE News, Events & Technology Updates

[>](#)

